

Fit is enough, less is more- Intel Alder Lake-N platform in tiny system.

MIWA-721

- Alder Lake-N series X & N SKU CPU
- High speed communication interfaces
- Intel Industry real-time networking supported (optional)
- Tiny system size in 7.5cm x 7.5cm x 3cm
- Miniature computing design to fit most of industry markets.



Specifications

General

CPU

Support Intel® Atom® Alder Lake-N processors
(System design optimized for 6W CPU power consumption.)

Memory

LPDDR5 8GB/16GB (option)

Mass Storage

eMMC 64G/128G(option)

Power Input

Standard: 9~36V

Operation System

Windows® 10 IoT Enterprise
Linux Yocto

Basic I/O Interface

Power Connector

4-Pin Terminal Block

Giga LAN

2x 2.5 GbE LAN (Intel® i226-IT)

USB

1x USB3.0 type-C, 1x USB3.0 type A

Display

1x DP

Expansion

1x M.2 M Key 2242 PCIe4

LED

4 system LEDs

EMC Standard

CE/FCC Class A

Environmental

Storage Temperature

-40°C ~ 85°C

Operating Temperature

-20°C ~ 50°C with airflow

Relative Humidity

5%~95% (non-condensing)

Vibration

Din Rail - 2G rms

Shock

Din Rail - 50G half sign

Mechanical

Degree of Protection

IP 30

Dimension

75mm (L) x 75mm (W) x 30 mm (H)

Net Weight

0.205KG

Optional Accessories

Power Adaptor

4-pin Connector, 60W/24V and 40W/12Vs

Mounting Kit

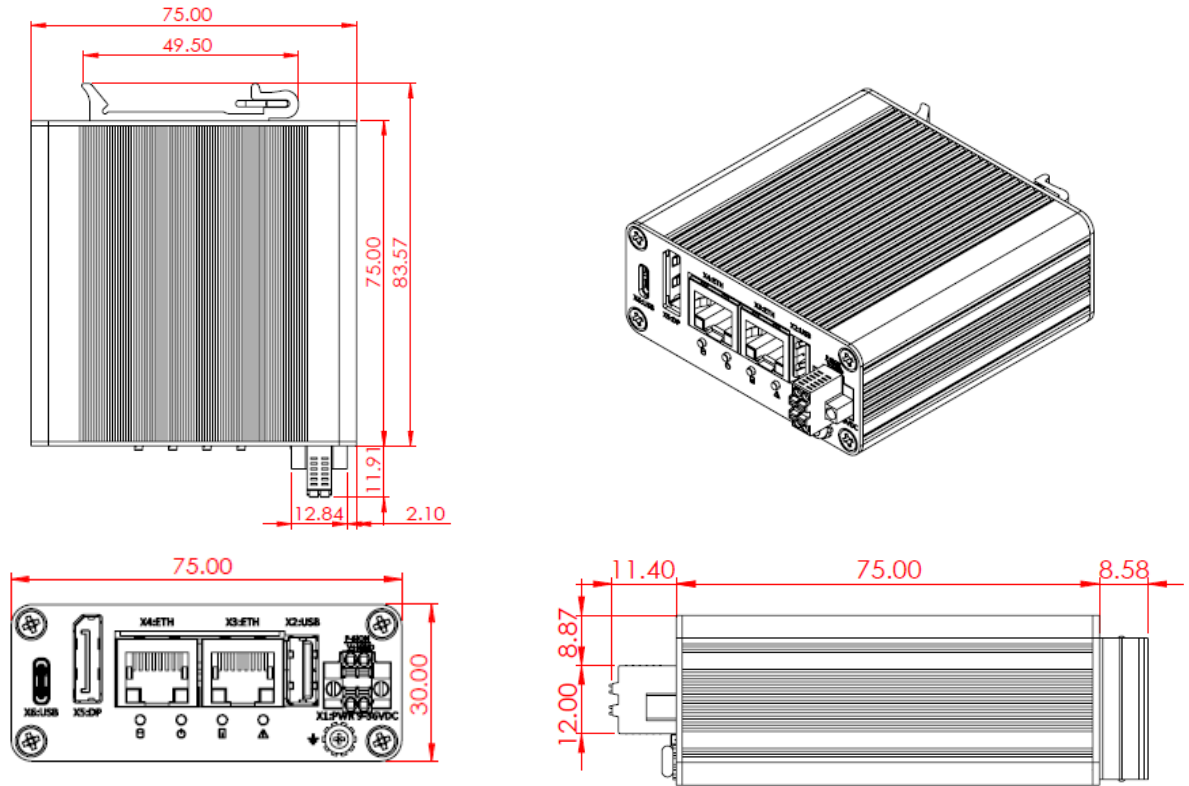
DIN-Rail mount

Wall/Desk/VESA mount by project

Video Adaptor

DP to VGA/ DP to DVI

Dimension



Models



MIWA-721-White



MIWA-721-Black



MIWA-721-Green



MIWA-721-Grey

株式会社Sano BS

〒160-0023 東京都新宿区西新宿3-4-11アビス西新宿三丁目702室

✉ info2@sanobs.com

sano B
Vitalize Customers Success

株式会社Sano BS

検索

